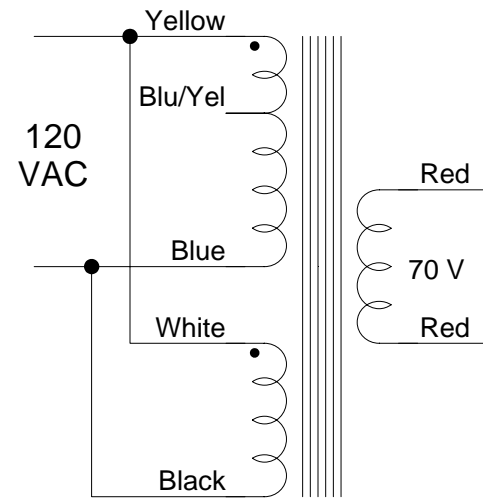


Core = .95 x 1.5 = 1.425 sq."  
 1.425 sq." = 62 VA

**1-017-5417F**



Core = .95 x 1.5 = 1.425 sq."  
 1.425 sq." = 62 VA

**1-017-5417D**