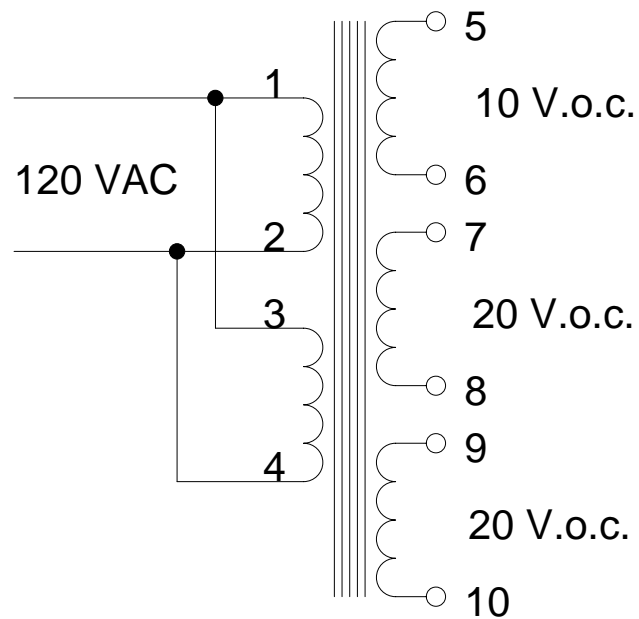


Hammond 99243



$$\text{Core} = 1.15\text{w} \times 1.45\text{t} = 1.668 \text{ sq}'' = 87 \text{ VA}$$