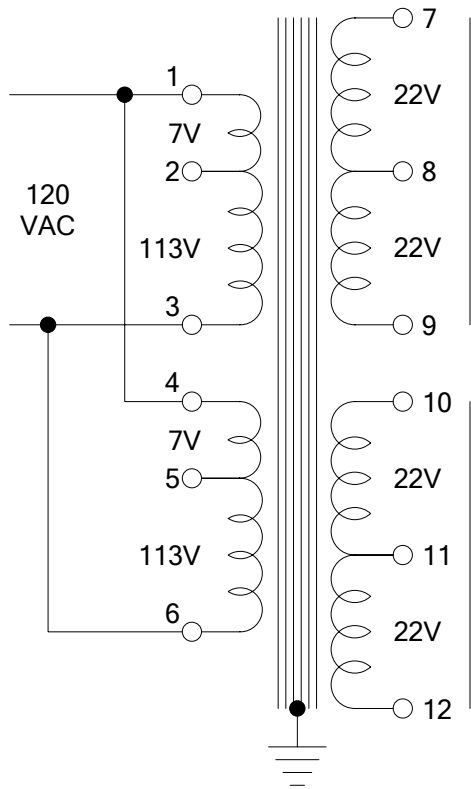


S-515880



Core Cross Sectional Area
= 1.9" x 1.5" = 2.85 sq"

VA from cross sectional area
- using a formula is 253 VA
- using a chart is 250 VA

44.4 VCT No Load
41.9 VCT with 2.96A Load = .84 ohms

44.4 VCT No Load
43.3 VCT with 3.0A Load = .37 ohms

Kenyon Magnetics