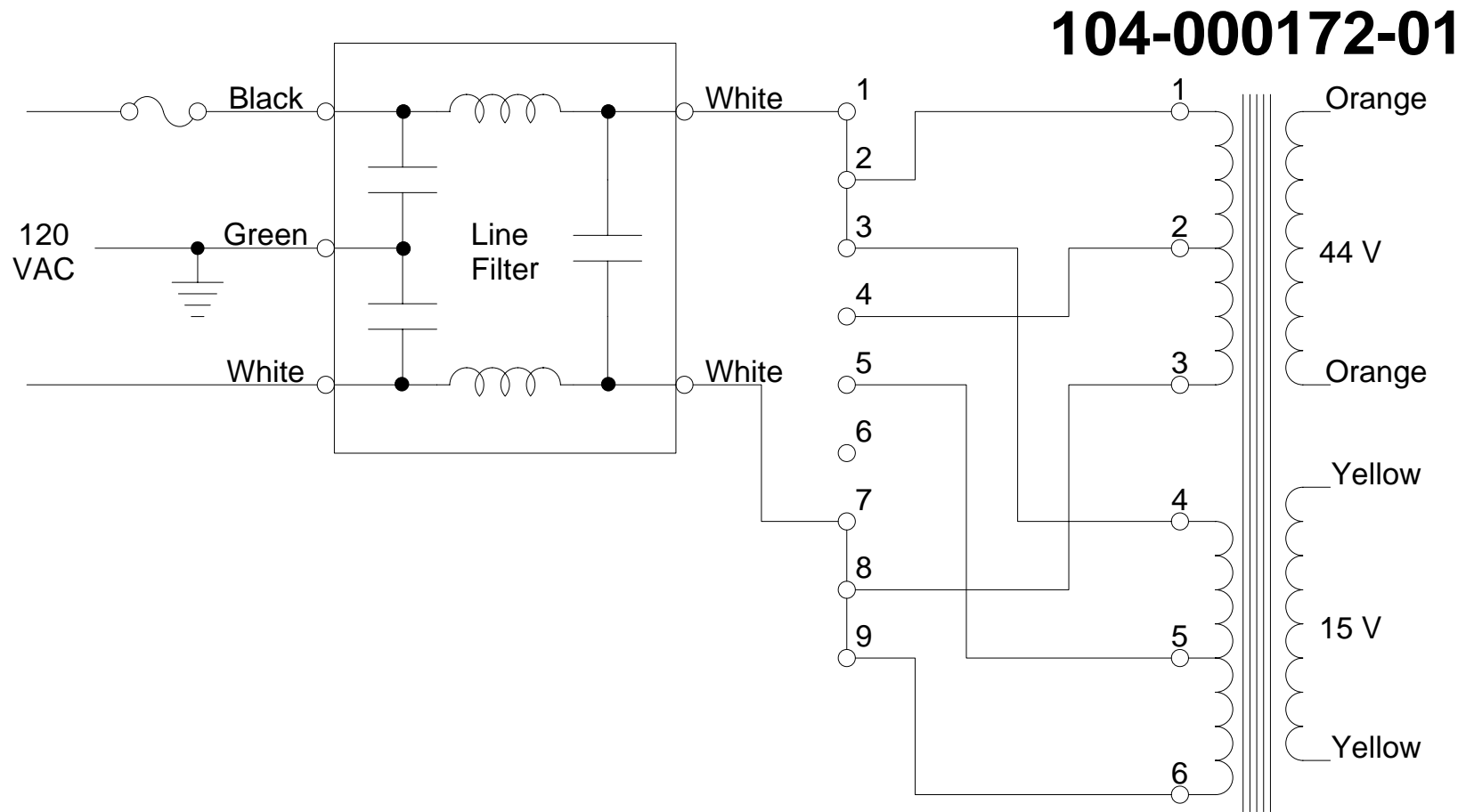


Transformer Assembly 104-000172-01



Core = 1.5"w x 2"d = 3 sq"
3 sq" = 250 VA